

REV LTR	DESCRIPTION	DATE	APPVD.
-	Orig.	6/15/12	MLG
A	Updated	10/25/13	MLG
B	Updated per ECN 2016-14	12/15/16	MLG

**XSIS XE643S - L00, SERIES
 HC/ACMOS OSCILLATORS
 FOR SPACE APPLICATIONS**

450 KHz to 125 MHz

(7 x 9 mm, Through Hole Leads, 3.3V)

(Refer to Page 5 for Models with Reduced Screening & QCI)

REV STATUS OF SHEETS	REV SHEET NO.	1	2	3	4	5	6	7	8	9	10	11	12	13	14	15	16
APPROVALS	DATE	XSIS ELECTRONICS, INC.															
PREP. S. Gupta	6/15/12	12620 W. 63 rd Street, Shawnee, KS 66216 USA															
ENG. M. Gupta	6/15/12	XE643S - L00 SERIES HC/ACMOS "S" LEVEL OSCILLATORS															
Q. A. M. Gupta	6/15/12	FSC NO.							DWG. NO.								
CUST. ENG.		57051							XE643S-L00								
CUST Q A.		SCALE							SHEET 1 OF 3								
		N/A															

1. SCOPE: XE643S-L00, HC/ACMOS series, high reliability hybrid microcircuit crystal oscillators are designed, produced and tested by Xsis Electronics, Inc. as MIL-PRF-55310, Class "S" equivalent devices for use in advanced military, avionics and space applications. These devices are of hybrid microcircuit technology conforming to MIL-PRF-55310, Type 1, Class 2 oscillators.

2. APPLICABLE DOCUMENTS:

MIL-PRF-55310E	Oscillator, Crystal Controlled, General Specifications for
MIL-PRF-38534H	Hybrid Microcircuits, General Specifications for
MIL-STD-883H	Test Methods and Procedures for Microelectronics

3. REQUIREMENTS:

3.1 General: The individual item requirements shall be as specified herein.

3.2 Package: Ceramic, 90% Min. AL₂O₃. Thermal Resistance, θ_{JC} : 28 °C / Watt.

3.2.1 Lead finish: 50 to 70 micro-inches gold over 100 to 250 micro-inches nickel. Hot Solder tinning with Sn60/Pb40 solder per MIL-PRF-55310 is optional at an additional cost.

3.2.2 Weight: 0.5 Gms typical, 0.6 Gms Max.

3.2.3 Reflow Soldering: Reflow soldering at 260 °C for 10 seconds shall not degrade the performance.

3.3 Hermeticity: Resistance welded, hermetically sealed, leak rate of $1(10)^{-8}$ atm-cc/s Max.

3.4 Marking: As a minimum, the parts shall be marked with Xsis P/N, Xsis cage code, ESD symbol, date code and serial number.

3.5 Absolute Maximum Ratings: Unless otherwise specified, absolute maximum ratings shall be as follows:

Supply Voltage	-0.5 to +5 VDC
Operating Free-Air Temperature Range	-55 °C to +125 °C
Storage Temperature	-55 °C to +125 °C

3.6 Electrical Characteristics: See Table I

3.6.1 Total Dose Radiation: Hybrid Microcircuit Crystal Oscillators shall be capable of meeting the electrical characteristics of Para. 3.6 after being exposed to total ionizing dose radiation of 100 krad as per MIL-STD-883, method 1019.

3.7 Hybrid Elements:

3.7.1 Quartz Crystals: High grade cultured quartz crystal shall be used. As an option, Xsis will use premium Q swept quartz crystal at an additional charge, refer to part numbering example in paragraph 6 to specify swept quartz crystal. Crystal element evaluation shall be in accordance with MIL-PRF-55310.

3.7.2 Crystal Mounting: Crystal element shall be mounted at 4 points in such a manner as to provide adequate ruggedness and performance under extreme environments specified herein.

XSIS ELECTRONICS, INC.
12620 W. 63rd St., Shawnee, KS 66216 USA

FSC NO.

57051

DWG. NO.

XE643S-L00

REV

B

SCALE

N/A

SHEET

2 OF 9

- 3.7.3 Passive Elements: Established Reliability (ER) QPL components, failure level R minimum shall be used or element lot evaluation shall be as per MIL-PRF-55310, class S, or MIL-PRF-38534, Appendix C, Class K as applicable.
- 3.7.4 Microcircuit die shall be from lots that have passed the element evaluation per MIL-PRF-55310, Appendix B, Level S, except testing per Subgroup 5 is omitted. Subgroup 5 testing is circuit configuration dependent, therefore, it is more effectively performed at the oscillator level as explained in Paragraph 3.7.5 herein.
- 3.7.5 For Output Frequency up to 90 MHz, Microcircuit die used in the oscillator shall be from NSC/FC 54ACT family and must be from wafer lot that has been successfully tested in the oscillator for ionizing radiation of up to 100 krad. Xsis Electronics has also performed SET & SEL testing on the microcircuit die. Test reports are available on request. For output frequencies above 100 MHz, the microcircuit die shall be from 0.8 μm BiCMOS Si family and must be from wafer lots that have been successfully tested in the oscillator for ionizing radiation of up to 100Krad and is known to be Single Event Latch-up immune for LET of up to 95 Mev-cm²/mg.
- 3.7.6 Workmanship, Rework and Process controls shall be in accordance with the requirements of MIL-PRF-55310.
- 3.7.7 Lot Traceability: Production lot for these oscillators shall be homogenous. Each element used in the production lot shall be traceable to a single lot. Swept quartz shall be traceable to the quartz bar, and its applicable processing details.
4. Quality Assurance Provisions: The quality assurance provisions shall be per MIL-PRF-55310, except as specified herein.
- 4.1 100% Screening: The 100% screening shall be performed as per Table II. PDA requirements for nondestructive bond pull and burn-in shall be as specified below.
- 4.2 PDA for Nondestruct Bond Pull: Unless otherwise specified, PDA shall be 2% of total number of wires or 1 wire whichever is greater.
- 4.3 PDA for Burn-in: Unless otherwise specified, PDA for burn-in shall be 2% or 1 oscillator whichever is greater and shall be applicable to +23 °C and/or +25 °C static tests only. In addition Delta Calculation shall be performed after Burn-in and shall count for PDA. All measured values for Delta Calculation shall be recorded. Parts that exceed the specified delta limits shall be rejected and be counted for PDA. Delta Calculation shall be performed at 3.3 VDC for the following parameters:
- | | |
|-------------------|---------------------|
| Input Current | 10% change Maximum |
| Output High Level | 10% change Maximum |
| Output Low Level | 0.1V change Maximum |
- 4.4 Group A inspection shall be in accordance with MIL-PRF-55310 for product level S.
- 4.5 Group B inspection (30 day aging) shall be in accordance with MIL-PRF-55310 for product level S. In order to expedite delivery, by customer request, the aging test can be ended after 15 days if the amount of frequency aging is less than 50% of the 30 day specification limit.
- 4.6 Oscillators shall be capable of meeting group C inspection per MIL-PRF-55310. Generic group C inspection data on similar parts may be used to satisfy this requirement. When specified by the Customer, Xsis Electronics will perform Group C testing at an additional charge.

XSIS ELECTRONICS, INC. 12620 W. 63 rd St., Shawnee, KS 66216 USA	FSC NO. 57051	DWG. NO. XE643S-LOO	REV B
	SCALE N/A	SHEET 3 OF 9	

4.7 Inspection and Test Data: Unless otherwise specified in the purchase order, the following Inspection and test data documentation shall be supplied with the parts. (See Page 5 for the description of the Model Numbers other than XE643S)

Model XE643S:

Certificate of Conformance
Summary of Screening Test Results per Table II
PDA Calculations for Non-Destruct Bond Pull and Burn-in
Summary of Elements Lot Traceability
Electrical Tests before and after Burn-in
Group A Inspection Summary
Group B (30 day Aging) Data
Radiographic Inspection Certificate

Model XE643H:

Same as for **Model XE64S** except Group B (30 day Aging) Data

Model XE643E:

Certificate of Conformance
Summary of Screening Test Results per Table III
Summary of Elements Lot Traceability
Group A Inspection Summary
Radiographic Inspection Certificate, if required by the Purchase Order

Model XE643B:

Certificate of Conformance
Summary of Screening Test Results per Table III
Group A Inspection Summary
Radiographic Inspection Certificate, if required by the Purchase Order

Model XE643P:

Certificate of Conformance

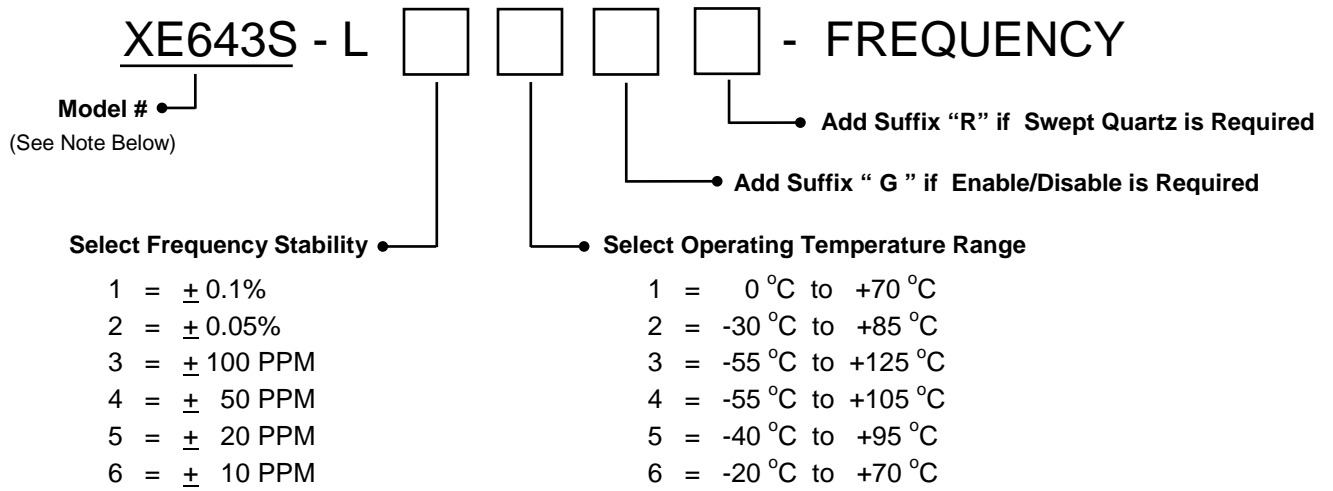
4.8 The following test and inspection options are available at customer request.

Customer Source Inspection for Pre-Cap and Final
Group C Inspection per MIL-PRF-55310 on 4 or 8 units
DPA (Destructive Physical Analysis)
Life Test per MIL-STD-883, Method 1005, 1000 Hrs. at +125 °C
MIL-PRF-38534, Group B Inspection
MIL-PRF-38534, Group C Inspection

5.0 Preservation, Packaging and Packing: The oscillators shall be clean, dry and packaged in a manner to provide adequate protection against electrostatic discharge, corrosion, deterioration and physical damage during shipment.

XSIS ELECTRONICS, INC. 12620 W. 63 rd St., Shawnee, KS 66216 USA	FSC NO. 57051	DWG. NO. XE643S-LOO	REV B
	SCALE N/A	SHEET 4 OF 9	

6.0 Part Numbering Example:



(Frequency Stability Options 5 & 6 are not available for all Temperature Range Options)

P/N Example: XE643S - L43 - 24.000 MHz = 24.000 MHz, Class "S" Oscillator, ± 50 PPM Frequency Stability over an operating temperature range of -55 °C to +125 °C,

NOTE: Besides model XE643S above, the following additional models are available for applications that can accommodate reduced level of Elements, Screening and Quality Conformance inspection:

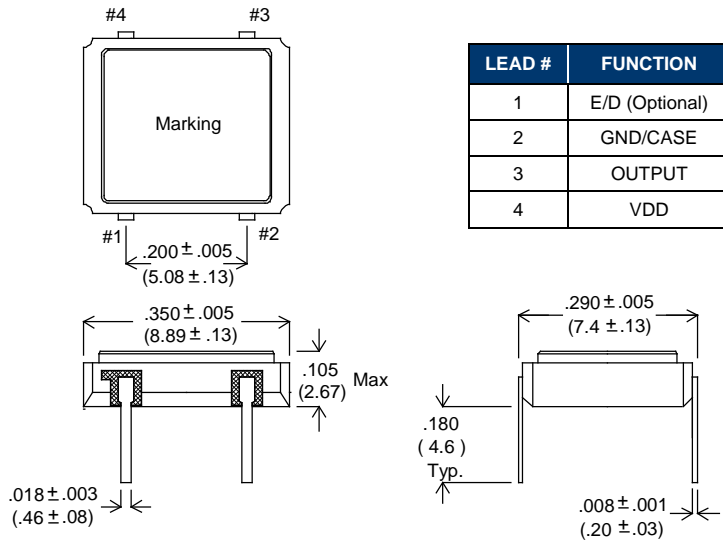
XE643H: Model XE643H is same as Model XE643S except as follows:
Group B inspection (30 day aging) per MIL-PRF-55310 is not applicable

XE643E: Model XE643E uses the same design & elements as Model XE643S except as follows,
100% screening is as per Table III herein
PDA for Burn-in is 10% or 1 unit whichever is greater
Delta measurements of paragraph 4.3 are not applicable
Group A inspection is as per MIL-PRF-55310, Class B
Group B inspection (30 day aging) per MIL-PRF-55310 is not applicable

XE643B: Model XE643B is same as Model XE643E except as follows:
Active and Passive Elements are as per MIL-PRF-55310, Class B. Microcircuit die is similar to the one used in Model XE643S but is not from radiation tested wafer lot.

XE643P: Model XE643P is a form, fit and function equivalent prototype of Model XE643S.
Prototypes may use commercial grade elements and are not screened. Quality Conformance inspection is not applicable.

<p>XSIS ELECTRONICS, INC. 12620 W. 63rd St., Shawnee, KS 66216 USA</p>	<p>FSC NO. 57051</p>	<p>DWG. NO. XE643S-LOO</p>	<p>REV B</p>
	<p>SCALE N/A</p>	<p>SHEET 5 OF 9</p>	



LEAD #	FUNCTION
1	E/D (Optional)
2	GND/CASE
3	OUTPUT
4	VDD

Dimensions: Inches (mm)

E/D (Enable/Disable) Input: A "Low" level at the input disables the Output into a high impedance state.

E/D Input has internal pull-up, it can be left floating or connected to Vdd.

Figure 1 - Package Configuration & Pin Connections

TABLE I – Electrical Characteristics

Parameter	Spec. Limits
Frequency Range	450 KHz to 125 MHz
Frequency Accuracy at 23 °C	± 15 PPM Max.
Frequency Stability Vs Temperature	See Options in Paragraph 6.0
Operating Temperature Range	See Options in Paragraph 6.0
Input Voltage	+ 3.3 VDC ± 10%
Input Current at 3.3V (no load)	
450.00 KHz to 5.00 MHz	3 mA Max.
5.01 MHz to 10.00 MHz	5 mA Max.
10.01 MHz to 20.00 MHz	8 mA Max.
20.01 MHz to 30.00 MHz	10 mA Max.
30.01 MHz to 40.00 MHz	15 mA Max.
40.01 MHz to 50.00 MHz	20 mA Max.
50.01 MHz to 125.00 MHz	35 mA Max.
Output Waveform	Square Wave, HC/ACMOS
Output Duty Cycle	55/45% Max
Output Load	10K 15 pF
High Output Level	0.9 VDD Min
Low Output Level	0.1 VDD Max.
Rise & Fall Times	
450.00 KHz to 25.00 MHz	5 nS Max
25.01 MHz to 45.00 MHz	4 nS Max.
45.01 MHz to 125.00 MHz	3 nS Max.
Start-up Time	10 mS Max.
Phase Jitter	0.3 pS rms typ, (10 KHz to 20 MHz Integrated)
Frequency Stability Vs Supply Voltage	± 4 PPM Max. for 10% change in Voltage
Frequency Aging @ 70 °C	1.5 PPM Max. /30 days, 3 PPM Max. /year

Contact Xsis Engineering for any other special requirements.

XSIS ELECTRONICS, INC. 12620 W. 63 rd St., Shawnee, KS 66216 USA	FSC NO. 57051	DWG. NO. XE643S-LOO	REV B
	SCALE N/A	SHEET 7 OF 9	

Table II - Models XE643S & XE643H, Screening (100%)

Test - Inspection	Test Method – Condition
Nondestructive Bond Pull	MIL-STD-883, Method 2023
Internal Visual	MIL-STD-883, Method 2017, Level S
Stabilization Bake (Prior to Seal) ^{1/}	MIL-STD-883, Method 1008, Condition C (+150 °C), 48 hours minimum
Thermal Shock	MIL-STD-883, Method 1011, Condition A
Temperature Cycling	MIL-STD-883, Method 1010, Condition B
Constant Acceleration	MIL-STD-883, Method 2001, Condition A Y ₁ axis only (5000 G)
Seal (Fine and Gross Leak)	MIL-PRF-55310, Para. 4.8.2.2.2
Particle Impact Noise Detection (PIND)	MIL-STD-883, Method 2020, Condition A
Radiographic Inspection	MIL-STD-883, Method 2012, Class S
Electrical Tests: Record all measurements. Input Current Output Frequency Output Voltage Levels Output Rise & Fall Times Output Duty Cycle	Nominal Supply Voltage, Specified load, +23 °C MIL-PRF-55310, Para. 4.8.5 MIL-PRF-55310, Para. 4.8.6 MIL-PRF-55310, Para. 4.8.21.3 MIL-PRF-55310, Para. 4.8.22 MIL-PRF-55310, Para. 4.8.23
Burn-in (load)	+125 °C, Nominal Supply Voltage and Burn-in load, 320 Hours Minimum
Electrical Tests: Record all measurements. Input Current Output Frequency Output Voltage Levels Output Rise & Fall Times Output Duty Cycle	Nominal and Extreme Supply Voltages, Specified load, +23 °C and operating temperature extremes, MIL-PRF-55310, Para. 4.8.5 MIL-PRF-55310, Para. 4.8.6 MIL-PRF-55310, Para. 4.8.21.3 MIL-PRF-55310, Para. 4.8.22 MIL-PRF-55310, Para. 4.8.23

^{1/} Vacuum bake and maintain oscillators in dry nitrogen per MIL-PRF-55310.

XSIS ELECTRONICS, INC. 12620 W. 63 rd St., Shawnee, KS 66216 USA	FSC NO. 57051	DWG. NO. XE643S-LOO	REV B
	SCALE N/A	SHEET 8 OF 9	

Table III - Models XE643E & XE643B, Screening (100%)

Test - Inspection	Test Method – Condition
Nondestructive Bond Pull	MIL-STD-883, Method 2023
Internal Visual	MIL-STD-883, Method 2017, Level B
Stabilization Bake (Prior to Seal) <u>1/</u>	MIL-STD-883, Method 1008, Condition C (+150 °C), 24 hours minimum
Temperature Cycling	MIL-STD-883, Method 1010, Condition B
Constant Acceleration	MIL-STD-883, Method 2001, Condition A Y ₁ axis only (5000 G)
Seal (Fine and Gross Leak)	MIL-PRF-55310, Para. 4.8.2.2.2
Particle Impact Noise Detection (PIND)	MIL-STD-883, Method 2020, Condition A
Electrical Tests: Input Current Output Frequency Output Voltage Levels Output Rise & Fall Times Output Duty Cycle	Nominal Supply Voltage, Specified load, +23 °C Verify all parameters MIL-PRF-55310, Para. 4.8.5 MIL-PRF-55310, Para. 4.8.6 MIL-PRF-55310, Para. 4.8.21.3 MIL-PRF-55310, Para. 4.8.22 MIL-PRF-55310, Para. 4.8.23
Burn-in (load)	+125 °C, Nominal Supply Voltage and Burn-in load, 160 Hours Minimum
Electrical Tests: Input Current Output Frequency Output Voltage Levels Output Rise & Fall Times Output Duty Cycle	Nominal Supply Voltage, Specified load, +23 °C and verify frequency at temperature extremes. MIL-PRF-55310, Para. 4.8.5 MIL-PRF-55310, Para. 4.8.6 MIL-PRF-55310, Para. 4.8.21.3 MIL-PRF-55310, Para. 4.8.22 MIL-PRF-55310, Para. 4.8.23

1/ Vacuum bake and maintain oscillators in dry nitrogen per MIL-PRF-55310.

XSIS ELECTRONICS, INC. 12620 W. 63 rd St., Shawnee, KS 66216 USA	FSC NO. 57051	DWG. NO. XE643S-LOO	REV B
	SCALE N/A	SHEET 9 OF 9	